

## Stainless Steel- Retaining magnets

disc-shaped, with female thread

### SPECIFICATION

Housing / threaded bushing

Stainless Steel

Material of the magnet:

Hard ferrite **HF**

temperature resistant up to 220 °C

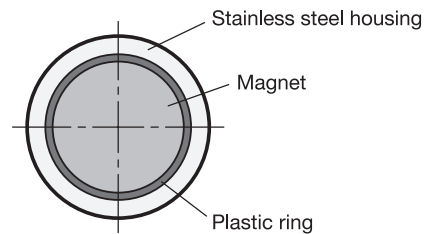
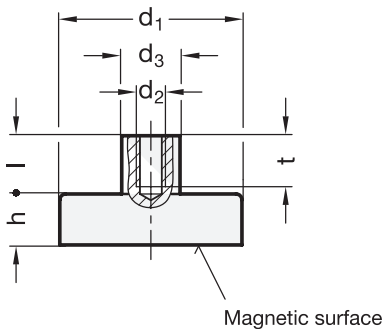
### INFORMATION

Stainless Steel-Retaining magnets GN 50.25 are a shielded magnetic system. Owing to the lower magnetic conductivity of the stainless steel housing, the adhesive forces are lower than in steel.

- More information to retaining magnets (see page 2022)



View of magnetic surface



### GN 50.25

**STAINLESS STEEL**

Description	d1	d2	d3	h	l	t	Nominal magnetic forces in N	⚖️
GN 50.25-HF-25-7-M5	25 ±0.1	M 5	8	7 +0.3/-0.1	9	8.25	32	20
GN 50.25-HF-32-7-M5	32 ±0.1	M 5	8	7 +0.3/-0.1	9	9	64	31
GN 50.25-HF-40-8-M5	40 +0.2/-0.1	M 5	8	8 +0.3/-0.1	8.5	9	100	56
GN 50.25-HF-50-10-M5	50 +0.2/-0.1	M 5	8	10 +0.4/-0.1	8.5	9	175	105
GN 50.25-HF-63-14-M5	63 +0.3/-0.1	M 5	8	14 +0.5/-0.1	8	9	280	228